

6

5

4



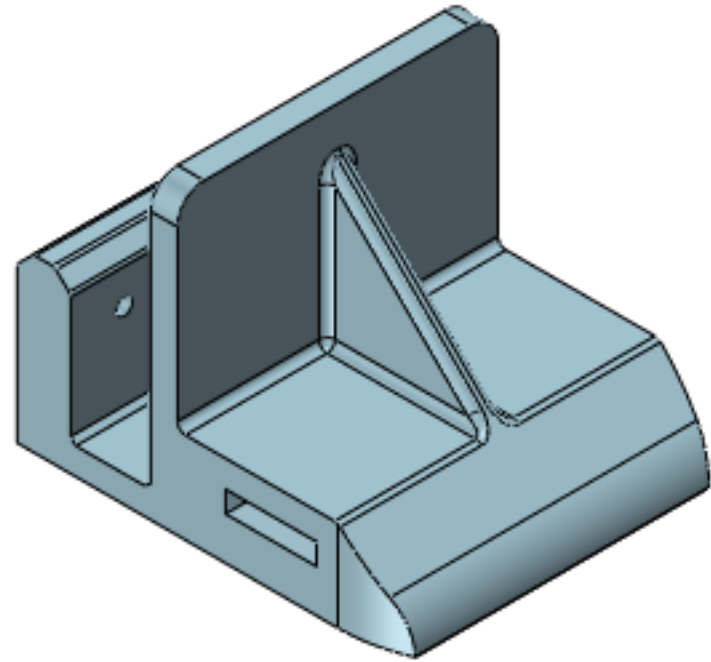
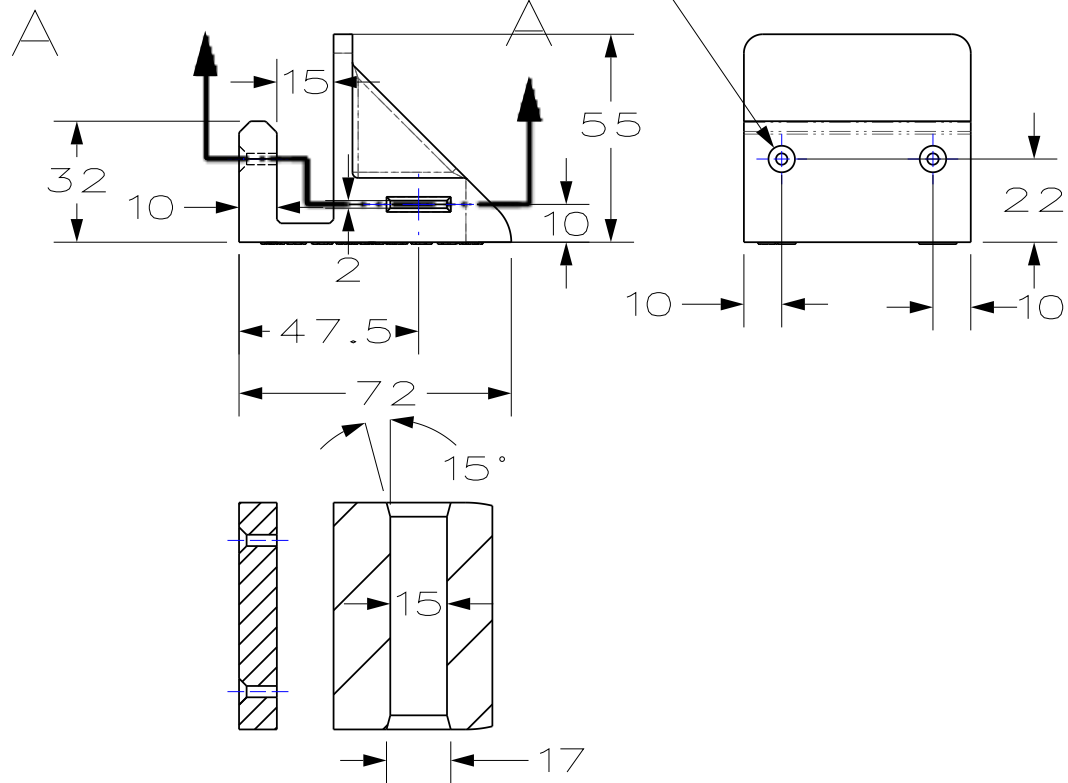
3

2

1



∅ 3.00  
√ ∅ 7.00 × 90°



# SECTION A-A

Andreas Hein

TITLE			
WinMaster Wall Base			
SIZE	CAGE CODE	Drawing NO	REV
A4(H)		LD0002WINT	A
SCALE 1:1	WEIGHT	SHEET 1 OF 1	

6

5

4



3

2

1